

Sundash Radius – 252



Forever Tan
113 Freeland Lane
Charlotte, NC 28217
1-800-447-0040

***For questions concerning this guide please
contact Jeremy Welch:***

jeremyw@forevertan.net
(704) 971-4744

Electrical – 7 pages

* This unit requires a 120/230 volts, three-phase, 50 amp (5 wire) circuit - actual amp draw of 36 amps - This unit has approximately 5 ft. of # 8 AWG wire (3 hots, 1 neutral, 1 neutral and 1 ground) coming out of the back panel through a ¾ -inch liquid-tight flex connector. This wire must be sleeved with flex and brought into a junction box. *Do not shorten wire, as this additional length is necessary to move the bed for service.* Contact a licensed electrician. Check local code for disconnect requirements.

* If three-phase power is not available this unit can be converted to a single-phase unit. The unit will then have approximately 5 ft. of # 2 AWG wire (2 hots, 1 neutral and 1 ground) coming out through the 1- inch liquid-tight flex connector. It will then require a 120/230 volt, 80 amp, (4 wire) circuit – actual amp draw of 63 amps. *If you require a unit to be single phase you must contact the Forever Tan Delivery Department before delivery at 1-800-447-0040.*

All locations are given as if you were standing in front of the bed or unit.

***** IMPORTANT *****

If 230 volts are not available a transformer will be required.

Transformers are not included in the price of the bed/unit and must be purchased separately. Transformers are available from the Forever Tan Parts Department.

Forever Tan also sells “Panel Boosting” Transformers. These are available in 200,400,600 and 800 amp versions. If multiple units require boosting it may be more cost effective to boost a whole panel instead of using individual transformers for each unit/bed. Please allow 6 to 8 weeks lead time for these transformers.

It is the contractor or owner’s responsibility to purchase and provide a location and hook-up of any transformers.

Junction Box Placement

Center of the backside – 12” up

These measurements are where the *conductors* come out of the *back* of the unit and are given as if you are standing in *front* of the equipment. The junction boxes should be placed within 1 foot of this. *These conductors must be sleeved with liquid tight flex.*

*****Forever Tan does not do any electrical wiring. The electrician must do the pre-wiring then return for the final hook-up during the equipment installation. This includes the wiring of any transformers.**

*****Due to insurance and liability reasons NO employee of Forever Tan is allowed (either written or verbally) to include any wiring with the purchase of tanning equipment from Forever Tan.**

*****Employees of Forever Tan do not mount timers or body fans to walls.**

*****The factory is allowed by ETL to size the wire coming out of the beds to match the amp draw not the size of the circuit (Appliance Rule). Wire gauges may be smaller (or larger for phase conversion purposes) than listed for circuit.**

***** All information concerning wire gauge and breaker size are calculated using the NEC table B-310-1 for 75 degree Celsius wire no more than three conductors in a raceway or cable in free air. Electrical contractors should verify all information on wire gauge and breaker sizes. Forever Tan will take no responsibility for any miscalculations or any misprints.**

***** Forever Tan will allow all beds to be cord and plug connected. Forever Tan requires that the conversion from hard-wire to cord and plug be made externally. Forever Tan will not provide materials and/or labor for any conversions.**

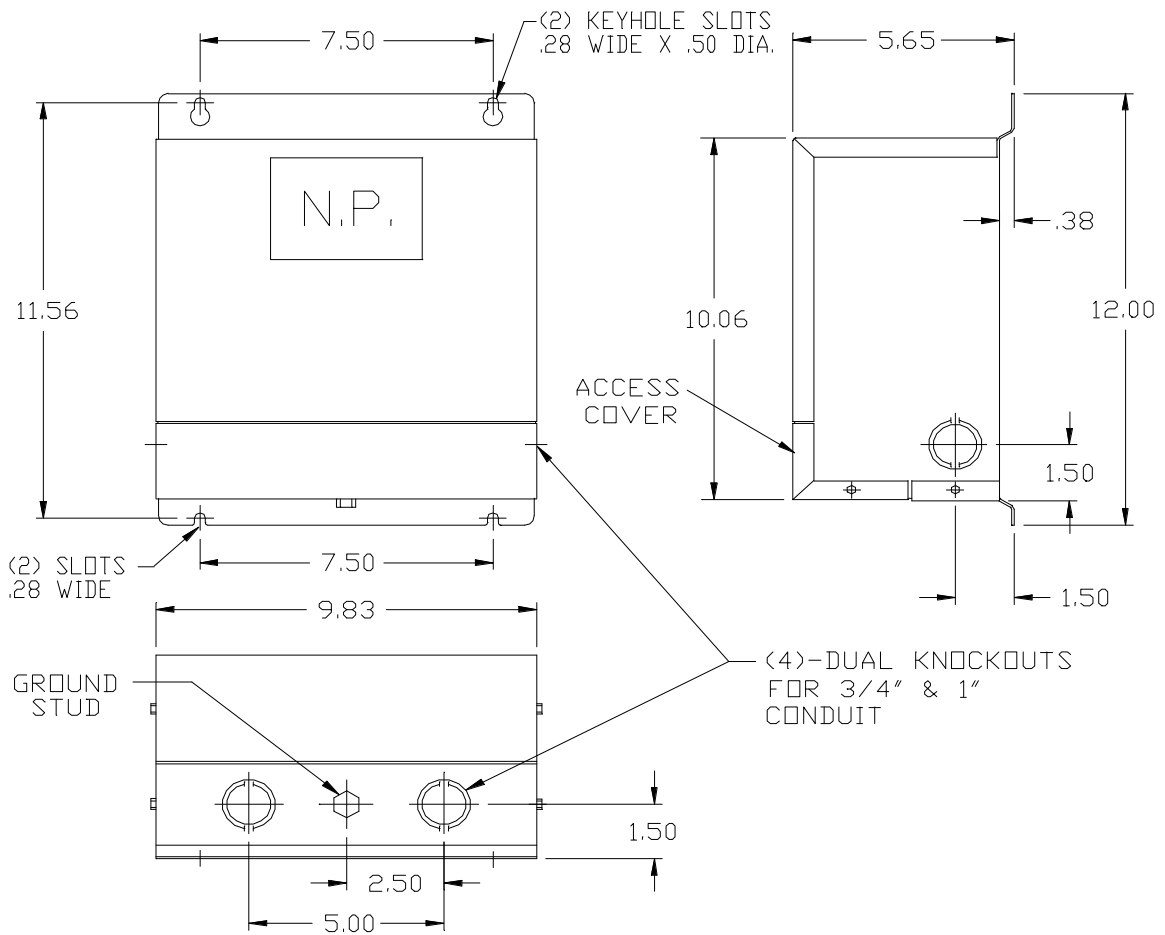
*****All information is subject to change at the manufactures and Forever Tan's discretion.**

If you have any questions please contact Jeremy Welch at [Jeremy Welch@forevertan.net](mailto:Jeremy.Welch@forevertan.net) or at (704)971-4744.

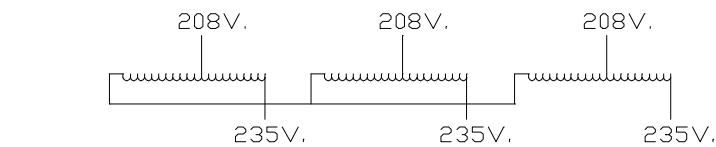
50 amp rated - Jefferson 415-0001-042 (3 Phase 208Y to 235Y volts)

Call Forever Tan Parts Department for Pricing - 1-800-447-0040

OUTPUT AMPS	CATALOG NUMBER	INPUT VOLTAGE	OUTPUT VOLTAGE	INSULATION CLASS	TEMP. RISE	WINDING MATERIAL	HERTZ	PHASE	ENCLOSURE	APPROX. SHIP WT.
30	415-0001-056	208Y	235Y	180	135	COPPER	60	3	NEMA 3R	43
40	415-0001-041	208Y	235Y	180	135	COPPER	60	3	NEMA 3R	47
50	415-0001-042	208Y	235Y	180	135	COPPER	60	3	NEMA 3R	51
60	415-0001-040	208Y	235Y	180	135	COPPER	60	3	NEMA 3R	55
80	415-0001-043	208Y	235Y	180	135	COPPER	60	3	NEMA 3R	62



WIRING DIAGRAM



INPUT: 208V.
OUTPUT: 235V

REVISION

REV.B: - ADDED 30 AMP RATING.
G.D. CHAINOT 05/21/04

APVD

GC/RZ
05/21/04



SCALE: NONE

DATE

DWN BY: G.D. CHAINOT

05/11/04

APVD BY: R. ZIMMERMAN

05/11/04

OUTLINE DRAWING
ENCAPSULATED AUTO
TRANSFORMER

PCD 415-0000-009

B

TIMER WIRING INFORMATION

The cable required for the “*Single Station*” remote timers is a 4 conductor 24 AWG flat cable commonly known as “Silver Satin”. It can be purchased from Forever Tan Service Department.

The cable required for the CCS IV “*Back-Bone System*” is a 4 conductor 24 gauge shielded cable. It can be purchased from Forever Tan Service Department.

The “*Back-Bone System*” is used when networking multiple beds to the Intellitan CCS IV or T-Max Manager Pro main station timer. The “*Back-Bone System*” utilizes a single continuous run of 4 conductor 24 gauge shielded cable that starts in a single-gang box near the mounting location of the CCS IV or T-Max Manager Pro main station timer, from there it loops through (12 inches, uncut) single-gang boxes in each room and terminates in a single-gang box in the last room. After the cable has been pulled and looped through each box a 110 punch-down jack (AMP 41106-RI6) is installed on the cable (using a punch-down style jack eliminates the need to cut the cable). The jack is then mounted to the faceplate (AMP 41080-1IP) the faceplate is then attached to the single-gang box. The jacks may be purchased from Forever Tan Service Department for \$3.00 each and the faceplates for \$2.00 each. Forever Tan Service Department will install the jacks and plates (at the time of delivery of the units) for an additional \$5.00 per room, provided that the cable and the single-gang boxes have already been installed by you (the owner) or your electrician PRIOR to the delivery of your tanning units. (See diagrams.). **IMPORTANT NOTE:** The CCS IV or T-Max Manager Pro main station timer requires a 120-volt outlet within 4 feet of where the timer will be mounted. This does not have to be a dedicated circuit.

See individual diagrams for placement of outlet boxes.

IMPORTANT

Forever Tan does not do any pre-wiring or installing of timer wires. We recommend having an electrician do this for you. The wire is available from the Forever Tan Parts Department.

No employee of Forever Tan is allowed (either written or verbally) to include any timer wiring with any purchase of tanning equipment from Forever Tan.

Forever Tan will (for additional charge) terminate the timer connections upon delivery of the beds/equipment if the pre-wiring is complete.

Forever Tan does not mount timers on the walls.

BACK-BONE TIMER WIRING DIAGRAM

ELECTRICAL CONNECTION:
 JUNCTION BOX MOUNTED
 12-18 INCHES OFF FLOOR
 WITH THE APPROPRIATE
 DEDICATED CIRCUIT
 PULLED INTO IT.

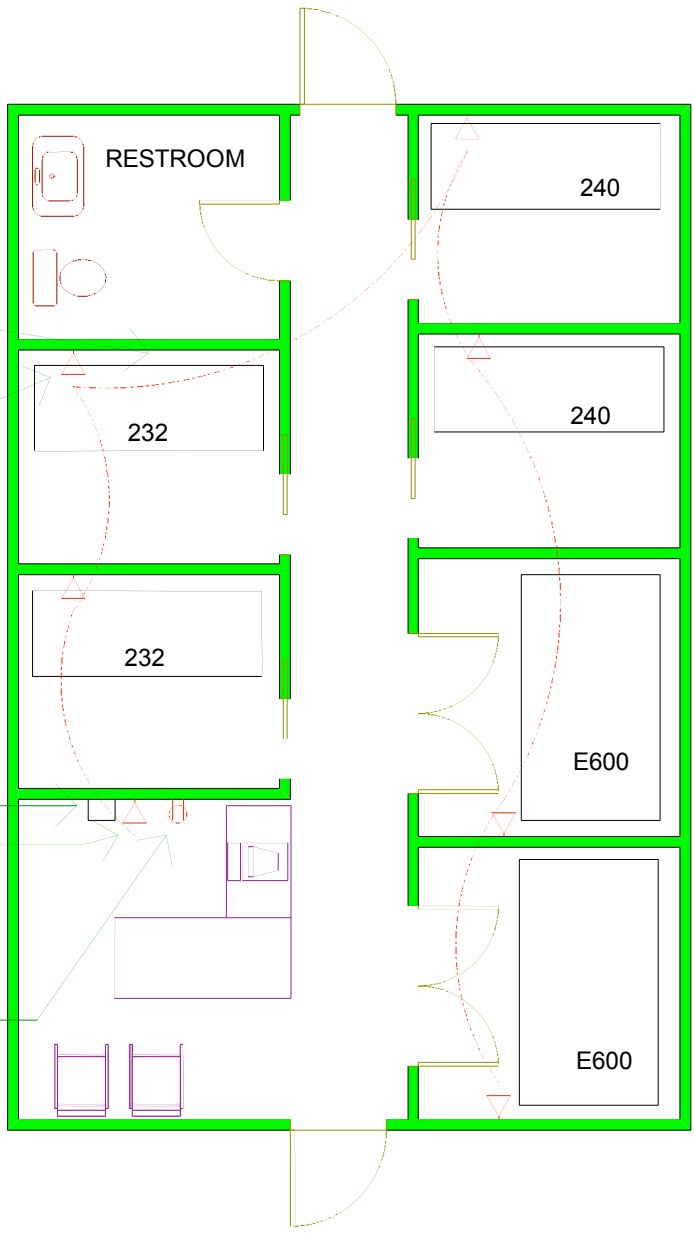
SINGLE GANG OUTLET BOX
 WITH A 12 INCH LOOP (UNCUT)
 OF 24 GAUGE 4 CONDUCTOR
 SHIELDED WIRE.

** SEE INDIVIDUAL DIAGRAMS
 FOR RECOMMENED PLACEMENT
 OF OUTLET BOXES

CCS IV MAIN STATION REMOTE
 TIMER

SINGLE GANG OUTLET BOX -
 THIS IS WHERE THE 24 GAUGE 4
 CONDUCTOR SHIELDED CABLE
 MUST START FROM.

120 VOLT OUTLET WITHIN
 4 FEET OF WHERE THE
 TIMER WILL BE PLACED.

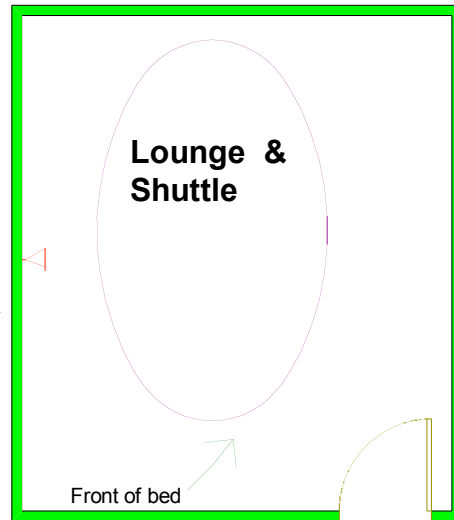


Placement of single gang box containing network wire for the following equipment models:

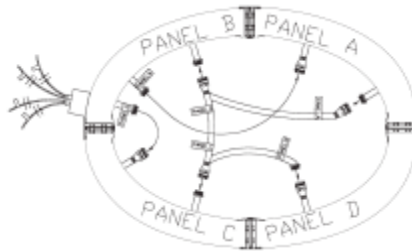
Lounge & Shuttle

This placement is center of the side wall and 84 24 inches off the floor.

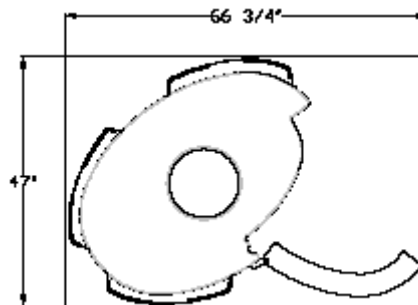
Side wall



This unit requires a minimum room size of 9 x 7. The hallway should be a minimum of 48" wide with a size of at least 36". This unit requires a minimum ceiling clearance of 10 ft.



Panel "D" is the door which swings out towards Panel "C"



Audio Internal speakers

Internal Speakers

This unit has a place for two 4.5-inch speakers in the canopy. There is no volume control.

**If you have any questions please e-mail Jeremy Welch
at jeremyw@forevertan.net or at 1-800-467-5473.**

Sundash Radius – 252

HVAC – 1 page

This unit produces 63,075 BTU's of heat per hour. The factory recommends a minimum of 2.3 tons of A/C to offset the heat produced by this unit.

Please consult a Mechanical Contractor.

Open Ceiling vs. Dropped Ceiling

Forever Tan has found that (if feasible) it is best to leave the ceiling open. If the ceiling is open and the A/C is piped down it allows the heat to rise past cool air. This makes it easier for the cool air to reach the floor. A dropped ceiling traps the heat and makes it harder for the cool air to reach the floor (it also warms your cool air before it has a chance to reach the floor). When an open ceiling is used the Mechanical Contractors should run all hard ductwork. This will consist of a main trunk line with 8"- 12" round pipe dropped over each room (hard duct allows it to be painted).

***Theses numbers are only recommendations, the mechanical contractor should calculate the A/C requirements, taking in to consideration the unique aspects of each space or building.

If you have any questions please e-mail Jeremy Welch
at jeremyw@forevertan.net or at 1-800-467-5473